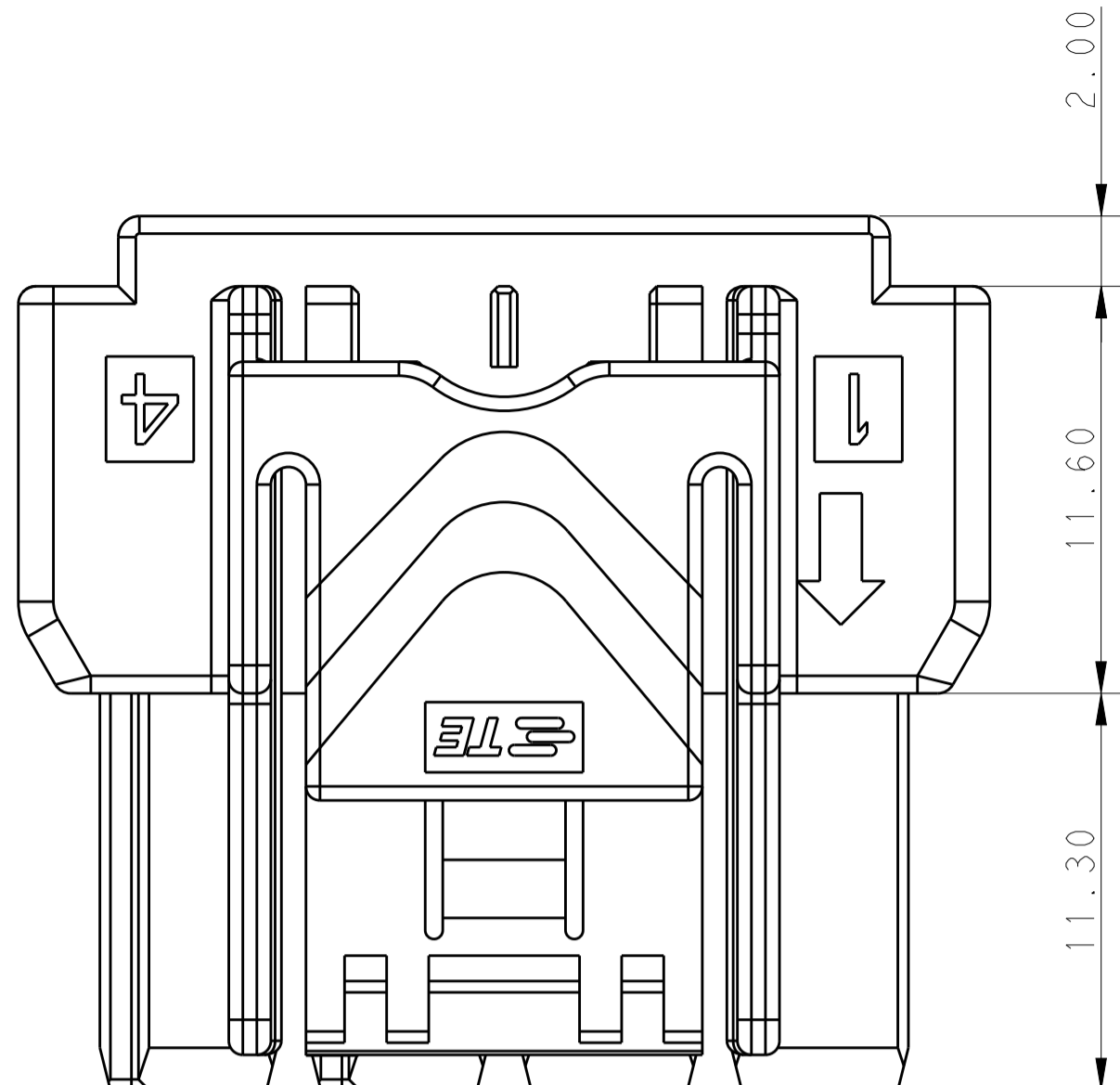
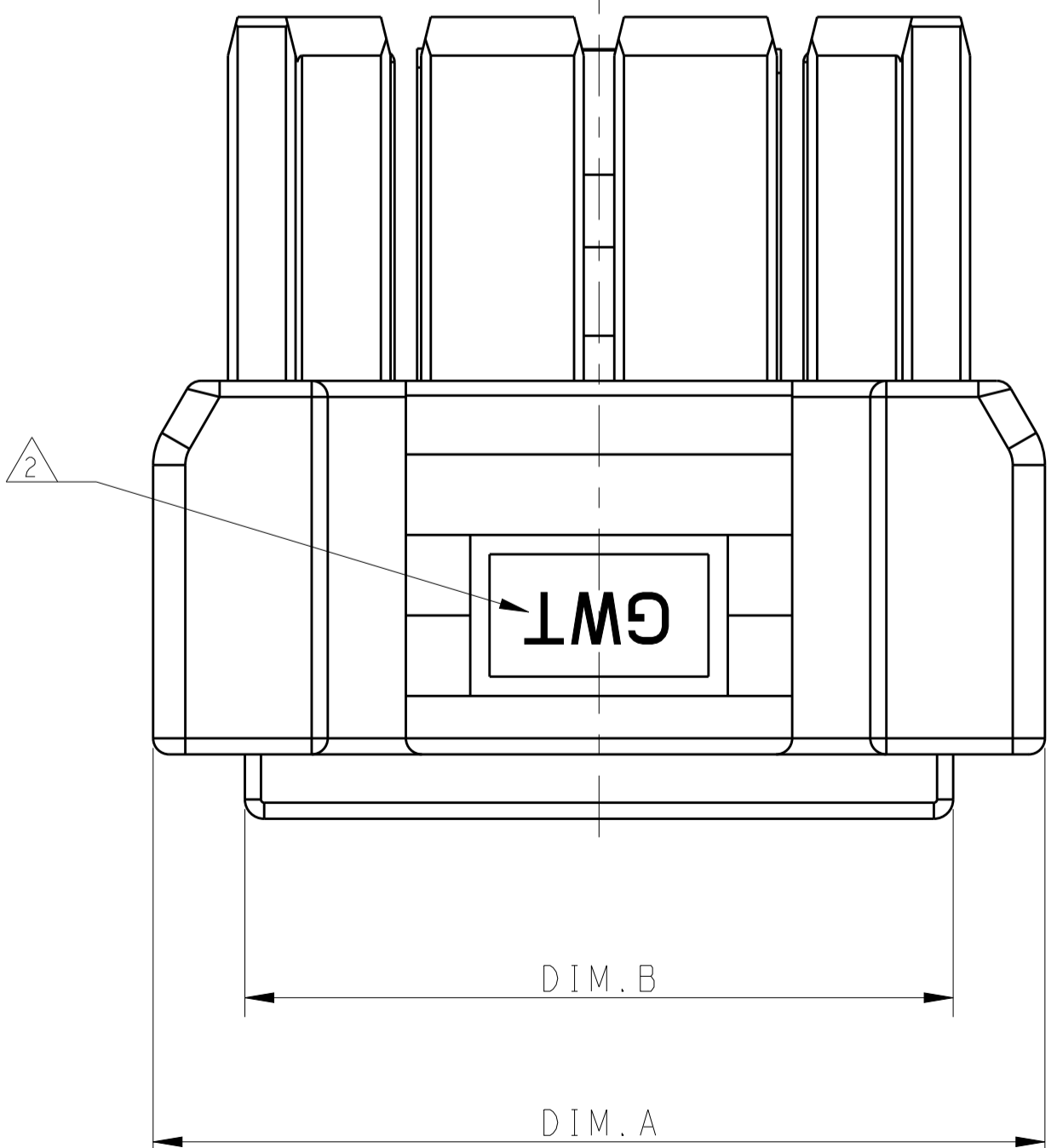
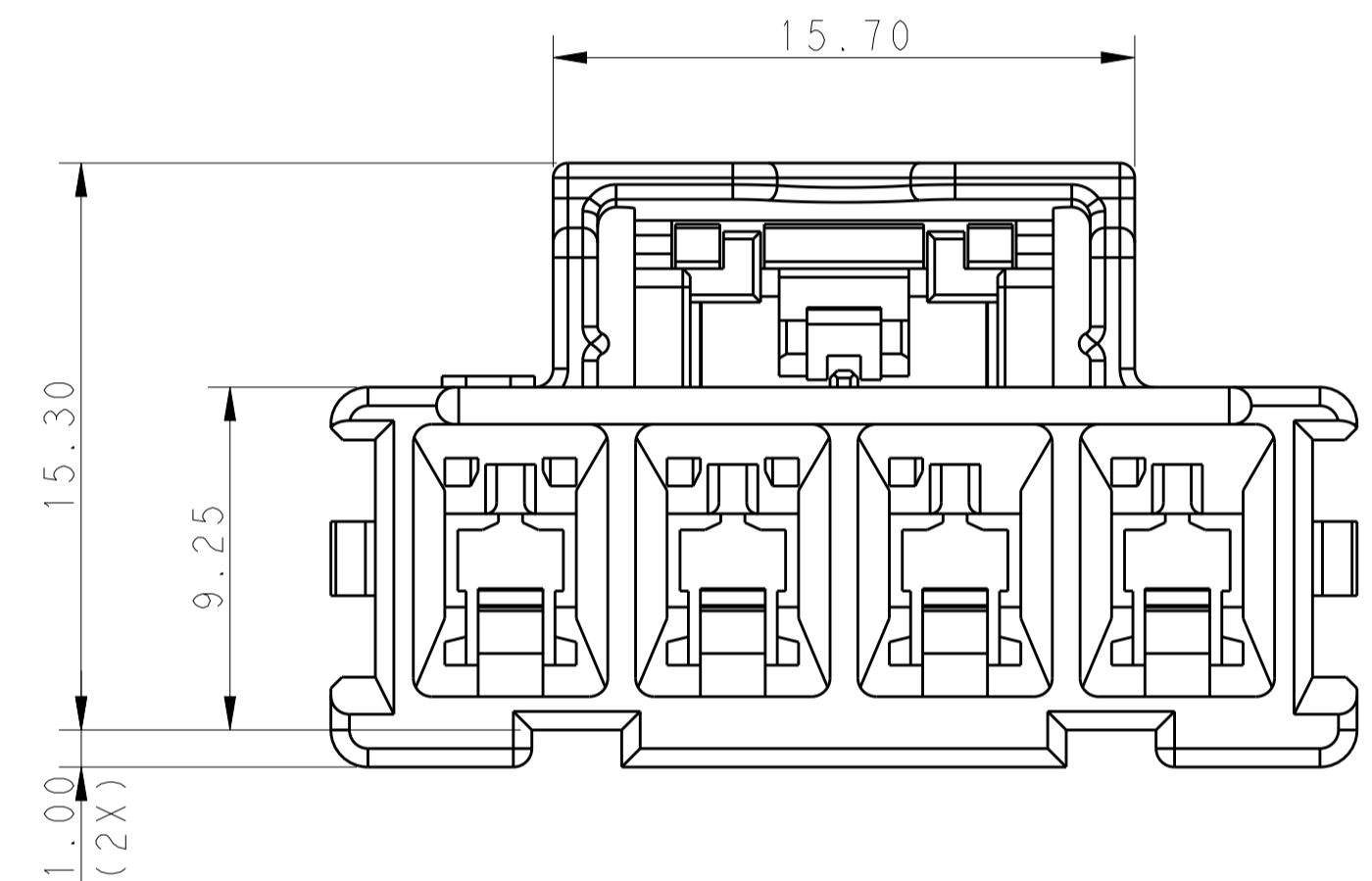
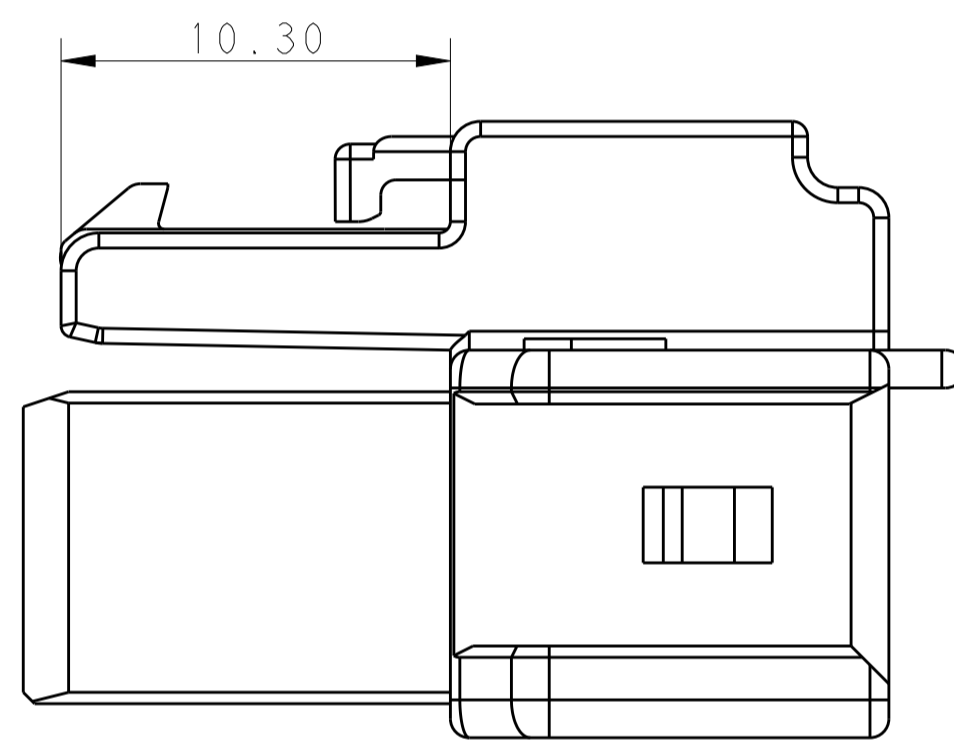
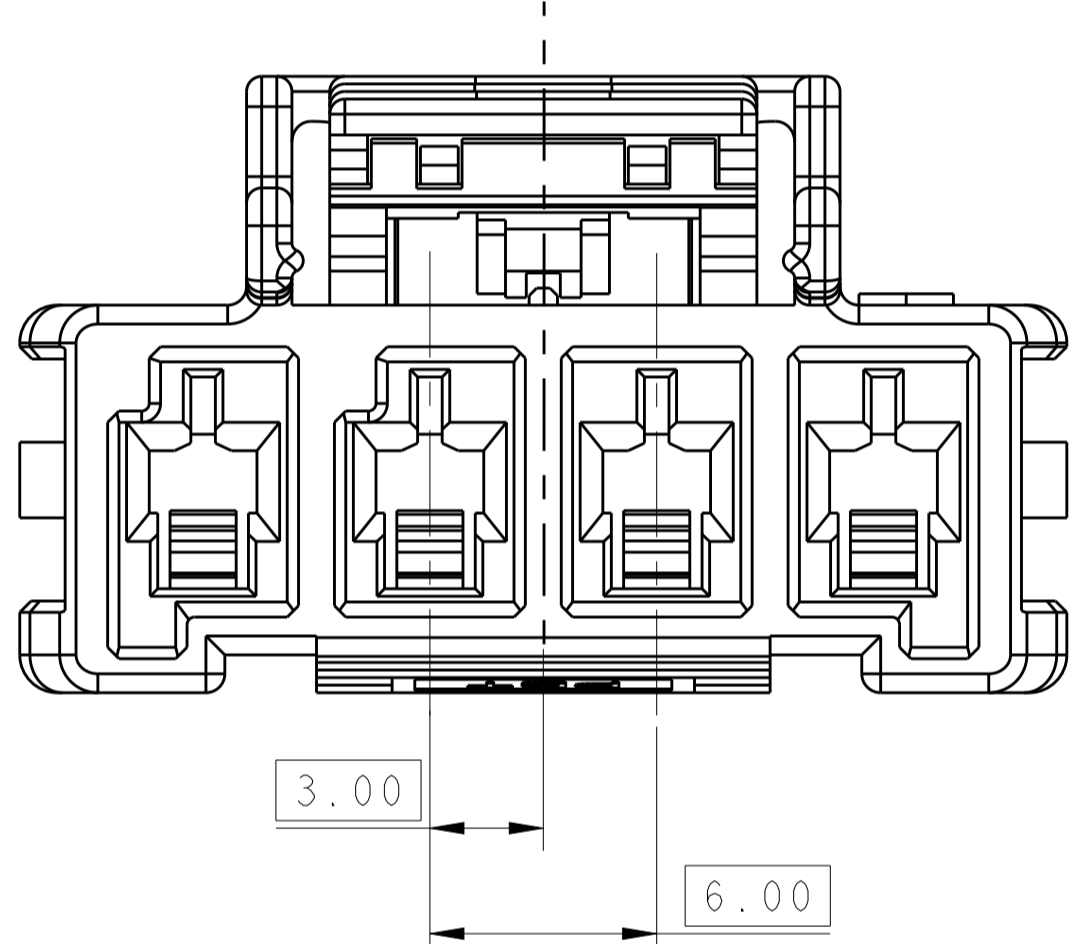


LOC		DIST		REVISIONS			
P	LTN	DESCRIPTION	DATE	DWN	APVD		
B2		REVISED PER ECR-14-003436	11MAR2014	NK	GJ		



POS.	DIM. A	DIM. B
1*5	33.70	28.00
1*4	27.70	22.00
1*3	21.70	16.00
1*2	15.70	10.00



NOTE

1. MATERIAL:

LEVEL A: PA6, COMPLY WITH GLOW WIRE REQUIREMENTS FOR PARTS OF NON-METALLIC MATERIAL SUPPORTING A CURRENT-CARRYING CONNECTION DETAILED IN IEC 60335-1, SECTION 30 (GWT), UL 94V-0

LEVEL B: PBT, HOT WIRE IGNITION (HWI) VERSION ARE MOLDED IN A RESIN THAT COMPLIES WITH TE HOT WIRE IGNITION TEST 109-32026 AND ARE RECOMMENDED FOR USE WITH HWI HOUSINGS THAT ALSO COMPLY, UL 94V-0

2. MATERIAL MARK:

LEVEL A: GWT, LEVEL B: HWT

3. APPLICABLE CONTACT P/N

REC CONTACT: 1971237/1971779/81/83/85/87-*

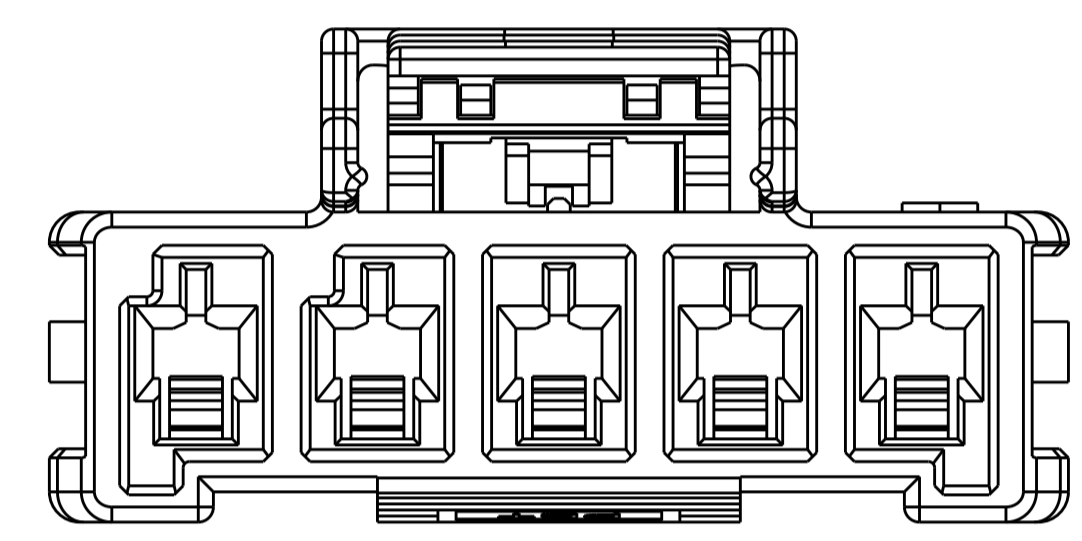
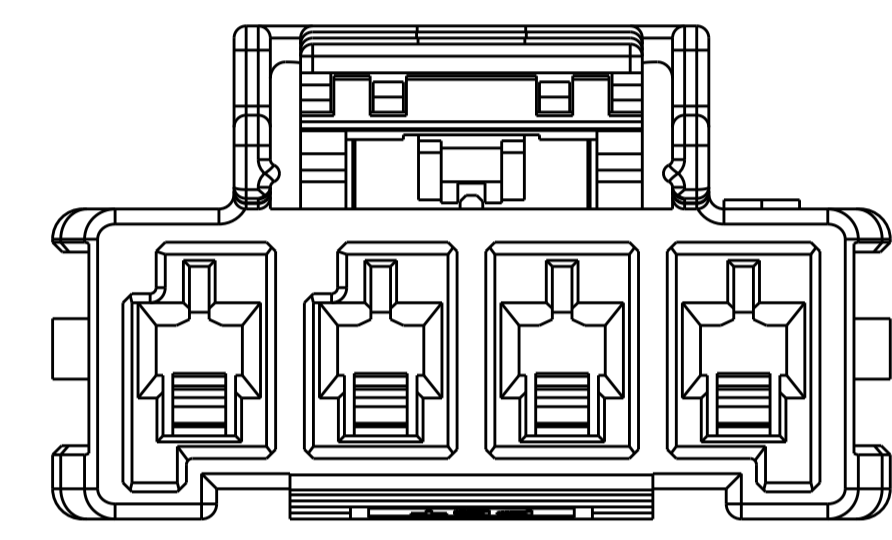
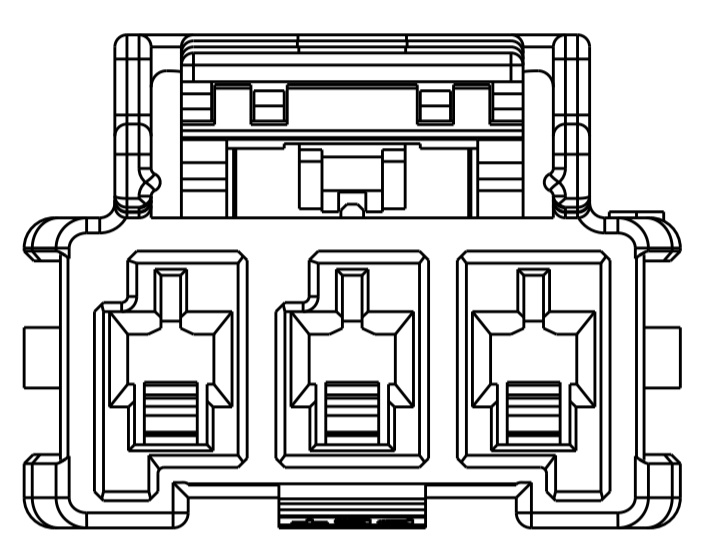
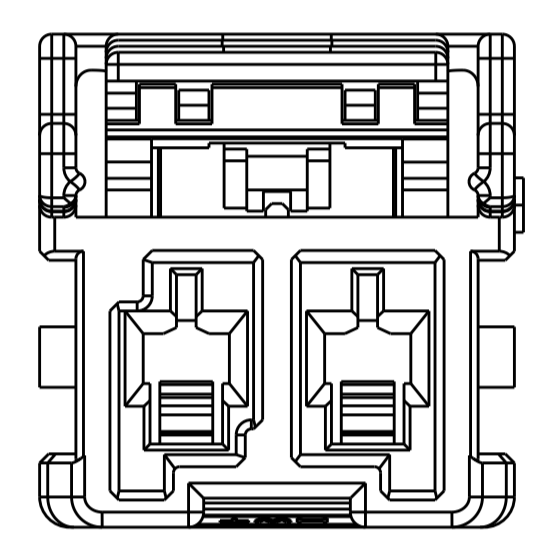
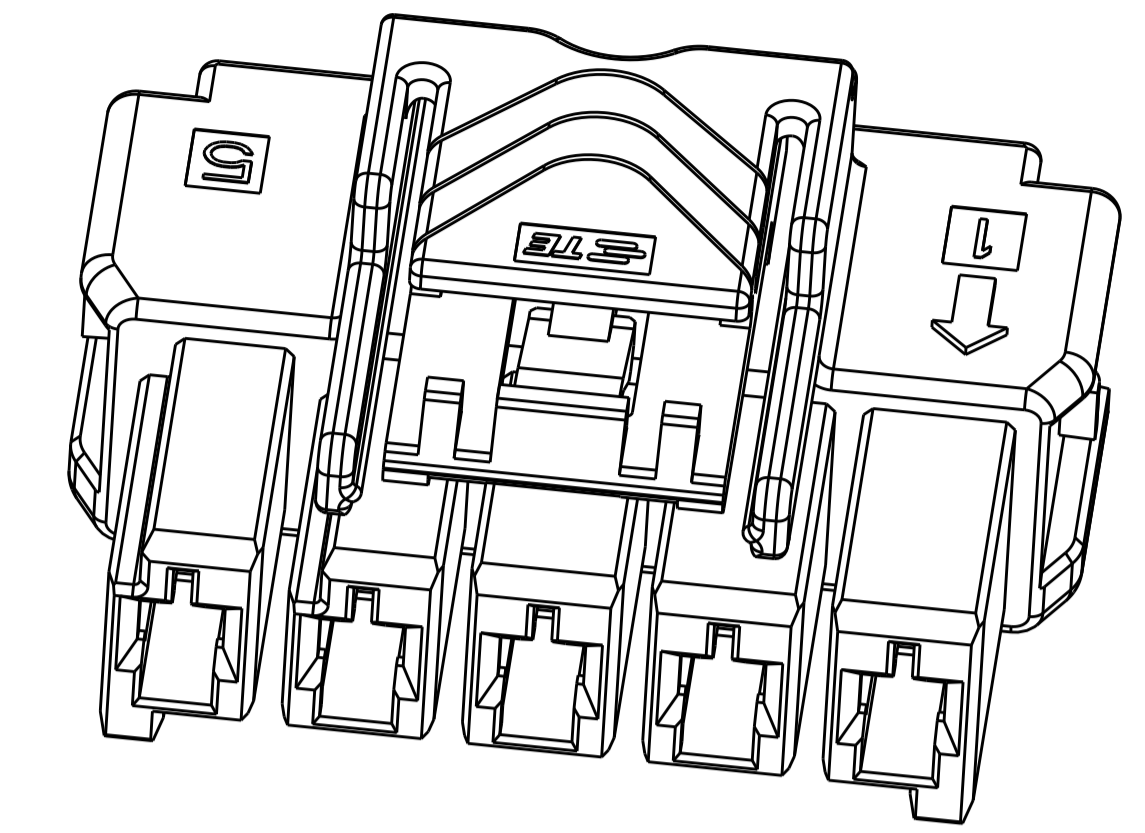
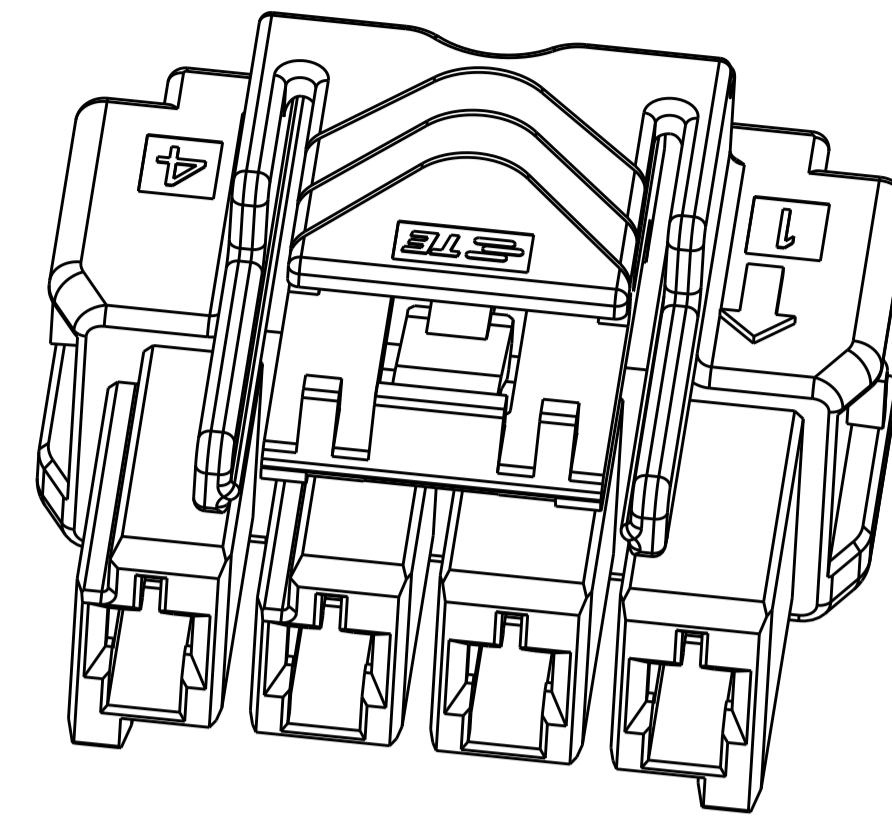
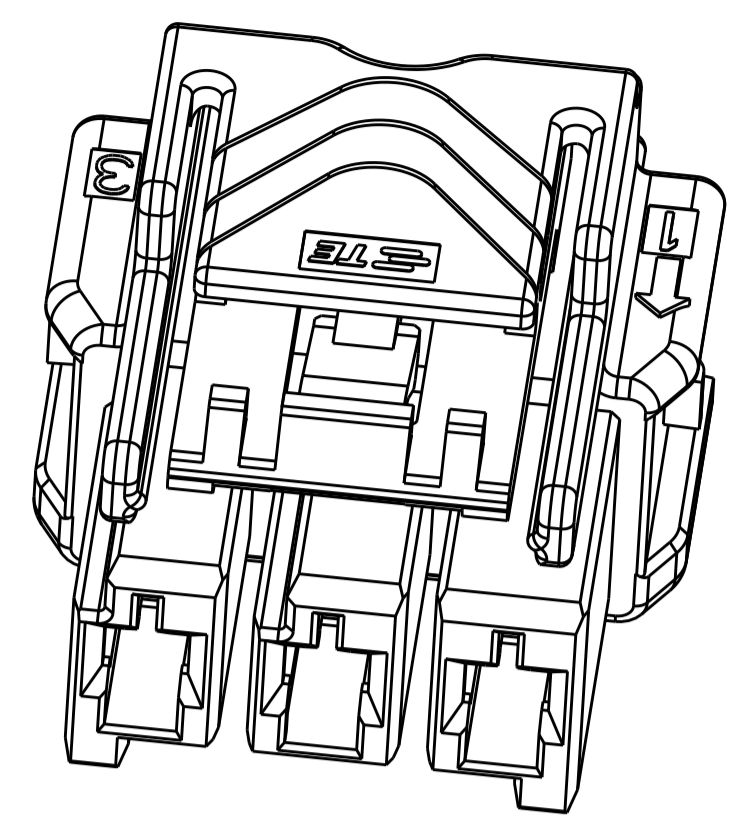
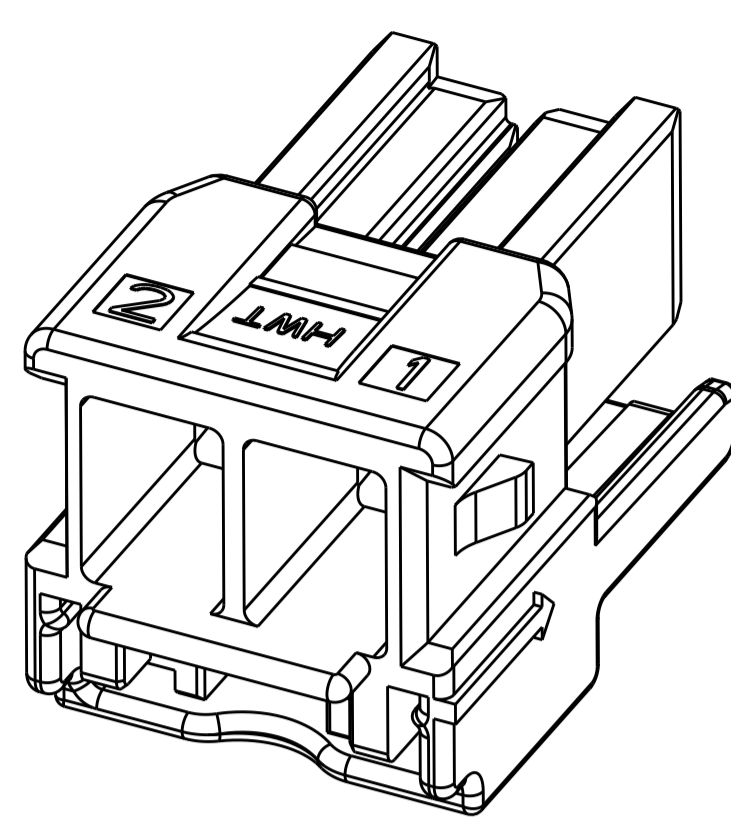
4. MATING CONN, P/N

CAP HSG: *-2232358/263-*

DOUBLE LOCK PLATE: *-1971777-*

THIS DRAWING IS A CONTROLLED DOCUMENT.		DWN	TOMMY WU	26MAR2013	TE Connectivity
DIMENSIONS:		CHK	HAPYE WU	26MAR2013	
TOLERANCES UNLESS OTHERWISE SPECIFIED:		APVD	YUHONG MAO	26MAR2013	NAME
mm	0 PLC ±	PRODUCT SPEC		PLUG HOUSING, SINGLE ROW	
	1 PLC ±0.35	APPLICATION SPEC		POWER TRIPLE LOCK	
	2 PLC ±0.25	SIZE	108-106118	CAGE CODE	114-106118
	3 PLC ±	DRAWING NO	A100779	DRAWING NO	C=2232265
	4 PLC ±	RESTRICTED TO		SCALE	
	ANGLES ±	WEIGHT		SHEET	1 OF 2
MATERIAL	FINISH	Customer Drawing		REV	B2

LOC		DIST		REVISIONS			
				REV	DESCRIPTION	DATE	BY
-	-	-	-	-	SEE SHEET 1	-	-

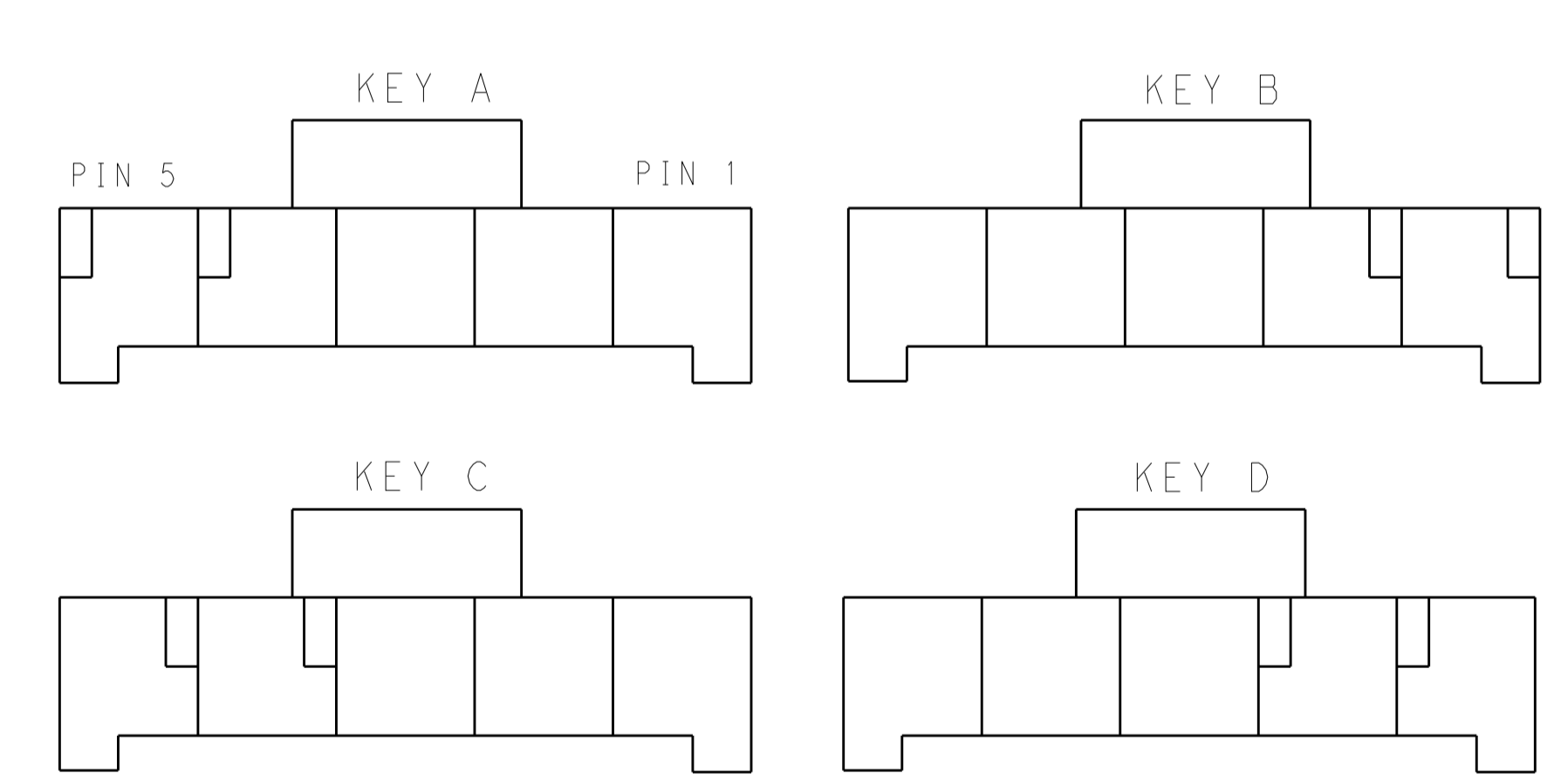
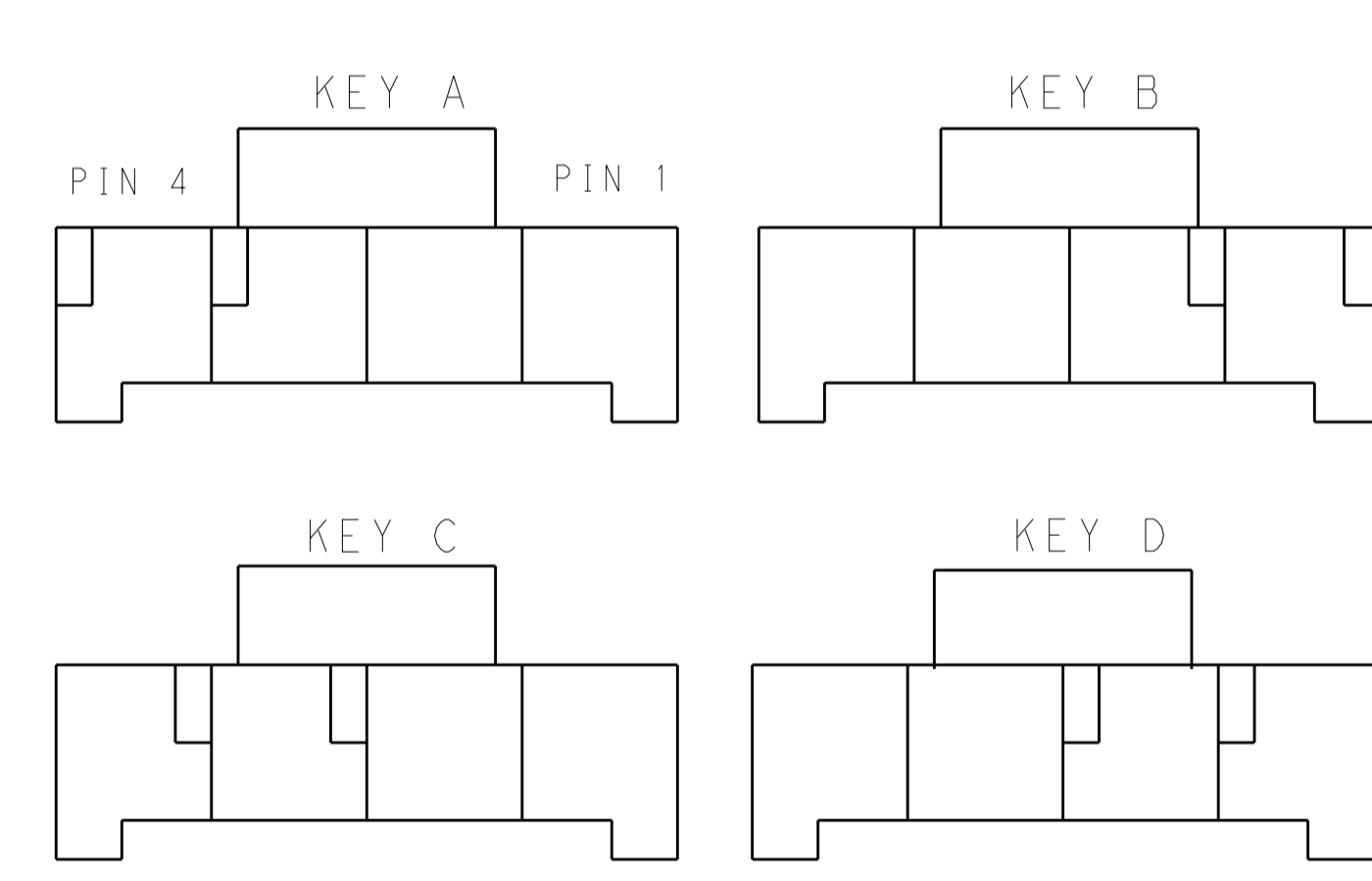
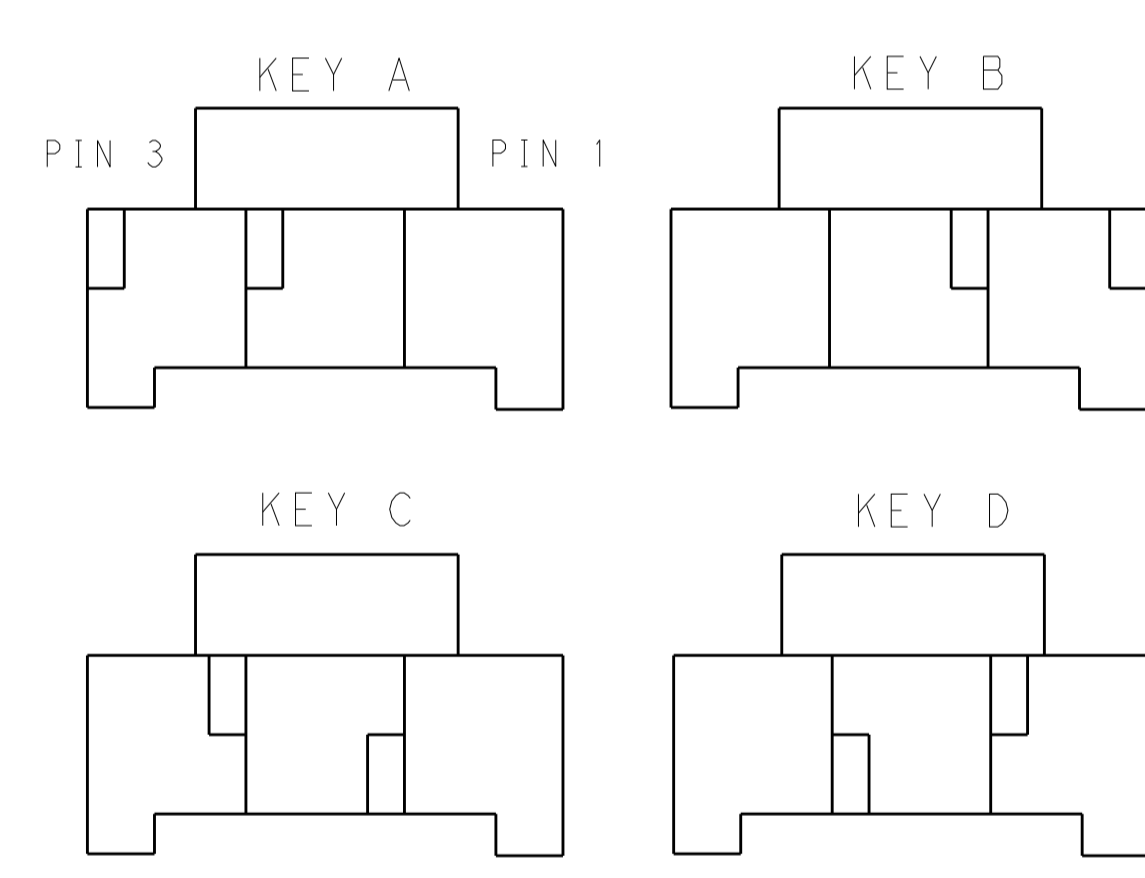
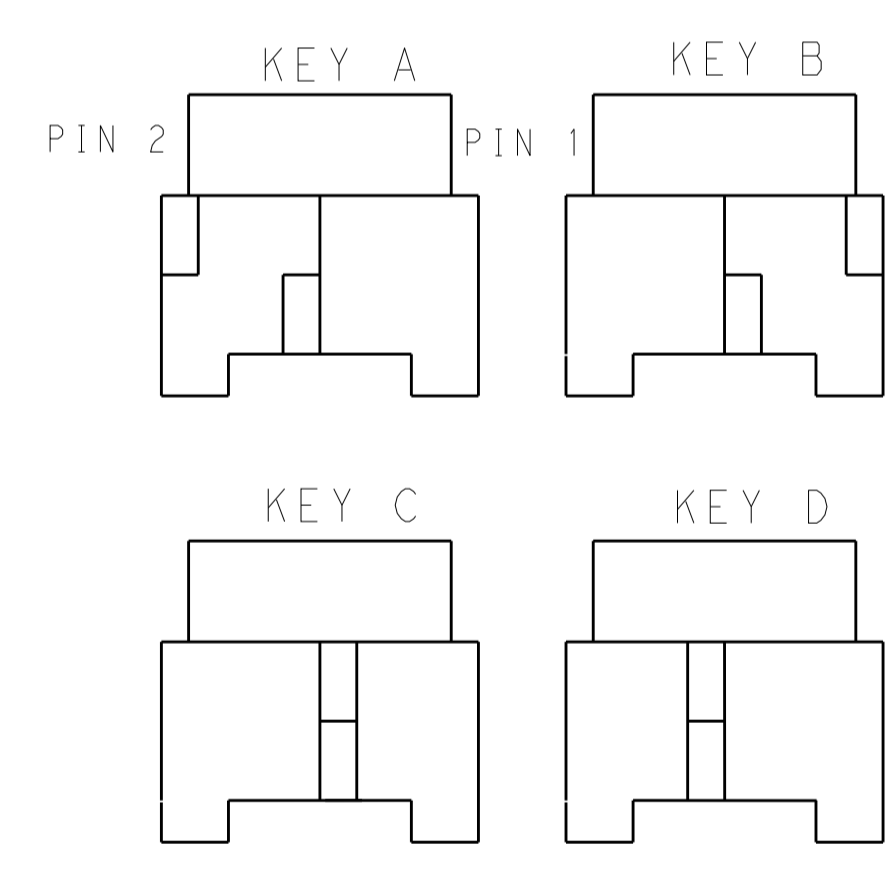


1*2 POSITIONS

1*3 POSITIONS

1*4 POSITIONS

1*5 POSITIONS



KEYING FOR 1*2 POS.

KEYING FOR 1*3 POS.

KEYING FOR 1*4 POS.

KEYING FOR 1*5 POS.

POS.	MATERIAL	COLOR	KEY	P/N
1*5	LEVEL A	DARK GREY	KEY A	5-2232265-7
		BROWN	KEY B	6-2232265-7
		GREEN	KEY C	7-2232265-7
		ORANGE	KEY D	8-2232265-7
1*4	LEVEL B	BLACK	KEY A	1-2232265-3
		DARK GREY	KEY A	5-2232265-4
		BROWN	KEY B	6-2232265-4
		GREEN	KEY C	7-2232265-4
1*3	LEVEL A	ORANGE	KEY D	8-2232265-4
		BLACK	KEY A	1-2232265-2
		DARK GREY	KEY A	5-2232265-3
		BROWN	KEY B	6-2232265-3
1*2	LEVEL A	GREEN	KEY C	7-2232265-3
		ORANGE	KEY D	8-2232265-3
		NATURAL	KEY B	2-2232265-1
		BLACK	KEY A	1-2232265-1

THIS DRAWING IS A CONTROLLED DOCUMENT.

DIMENSIONS:	TOLERANCES UNLESS OTHERWISE SPECIFIED:	OWN: TOMMY WU 26MAR2013	TE Connectivity PLUG HOUSING, SINGLE ROW POWER TRIPLE LOCK
mm	0 PLC ±0.35	CHK: HAPYE WU 26MAR2013	
	1 PLC ±0.25	APPV: YUZHONG MAO 26MAR2013	
	2 PLC ±0.15		
MATERIAL: SEE TABLE	FINISH: -	WEIGHT: -	RESTRICTED TO

Customer Drawing SCALE: - SHEET 2 OF 2 REV B2